



BOWER SINGLE & BOWER DOUBLE

Features

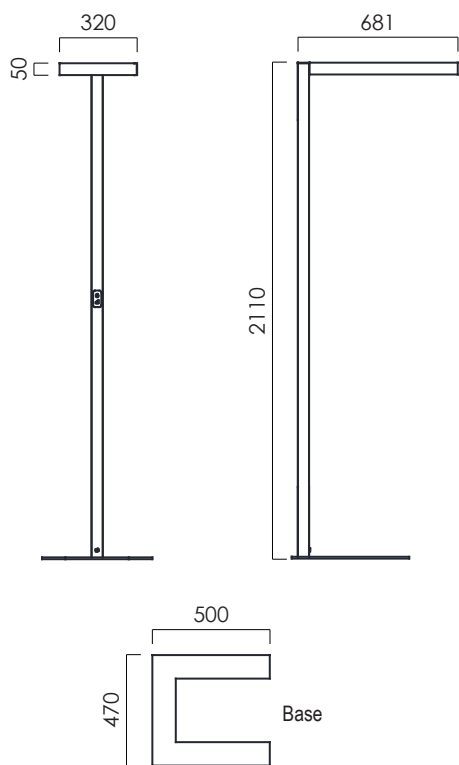


RoHS

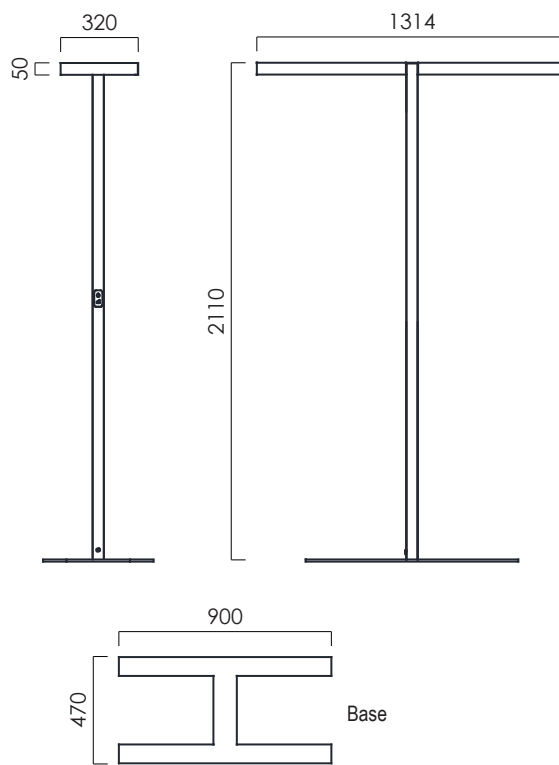
- Direct/indirect light distribution
- Glare-free technology with prismatic acrylic diffuser
- Lighting control by touch DIM on pole
- Luminaire head detachable
- Powder-coated white, silver, black and RAL
- 100% recyclable, extruded architectural grade T6063 aluminum

DIMENSIONS

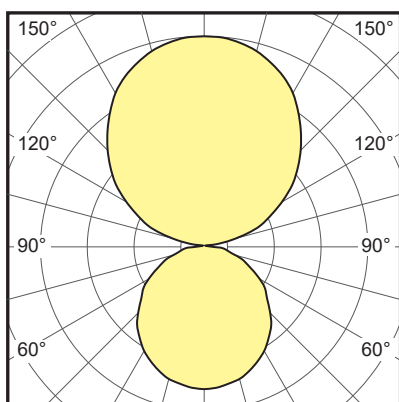
BOWER Single Head



BOWER Double Head



DISTRIBUTIONS

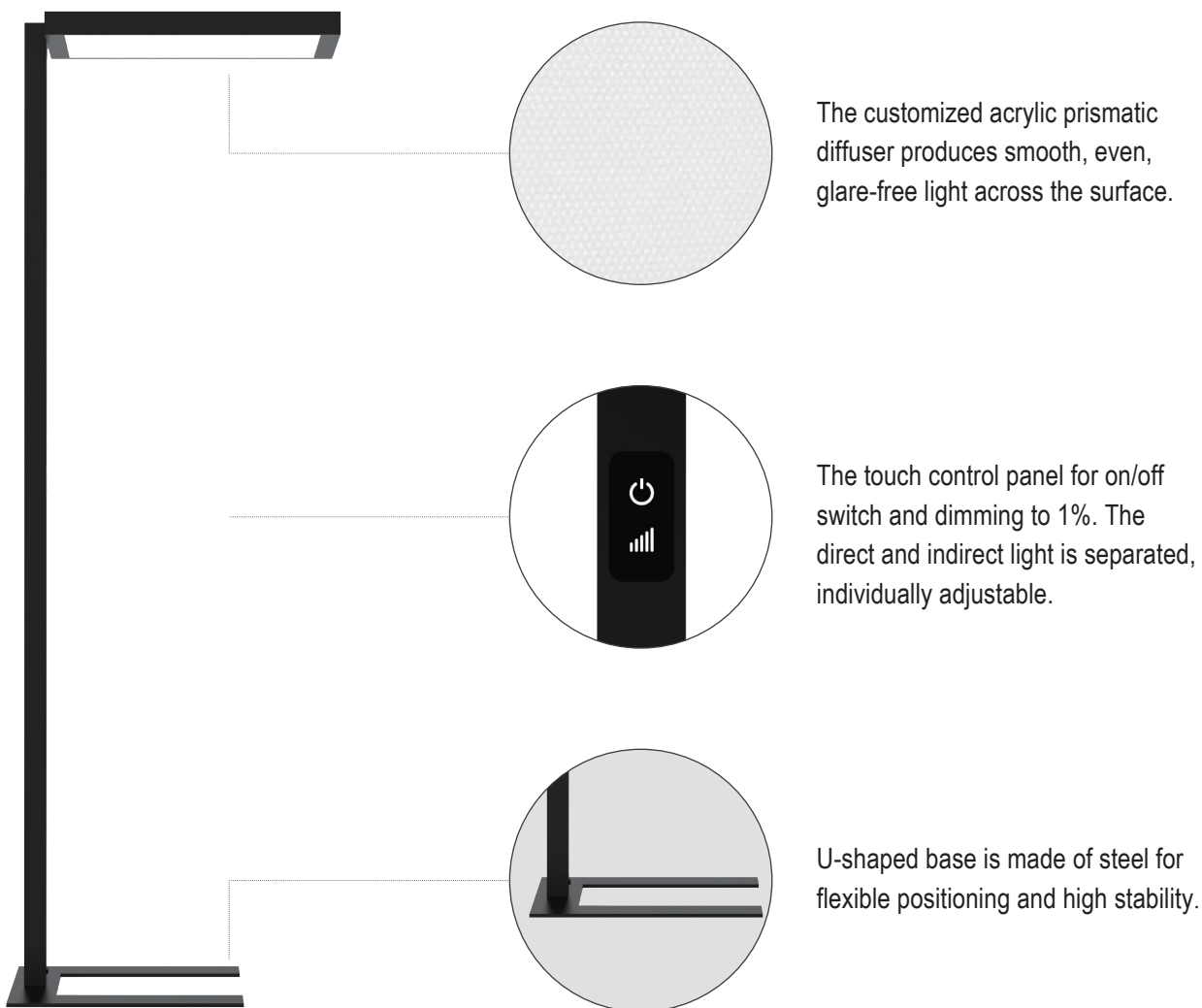


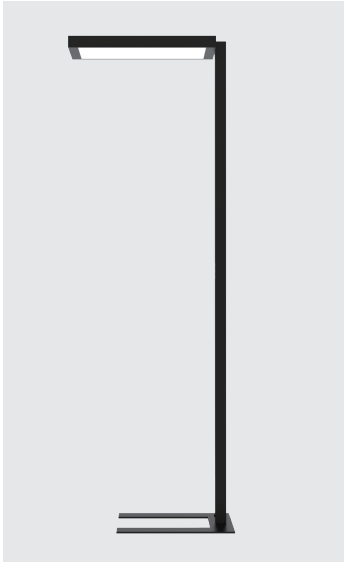
SPECIFICATION DETAILS

OVERVIEW

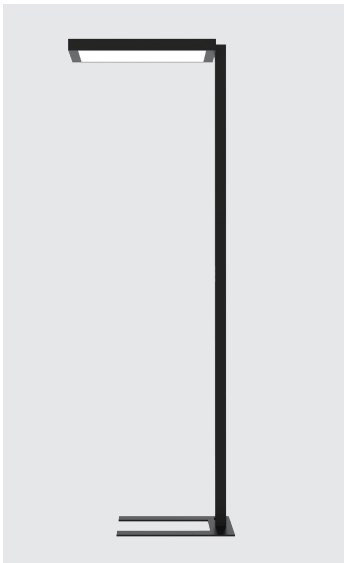
BOWER is characterised by a perfect combination of high efficiency and comfortable light, is an ideal luminaire for office and home workplaces. The luminaire head for BOWER can be single and double head with direct / indirect light distribution. The soft indirect lighting combined with homogeneous direct light that effectively reduces glare provides atmospheric lighting for any room.

DETAILS

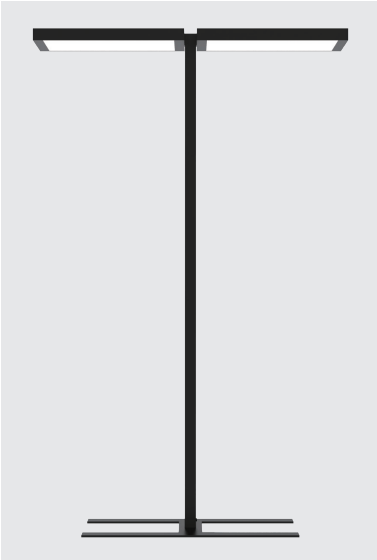


ORDERING INFO**BOWER SINGLE - 69W
MODEL: BW-S-69**

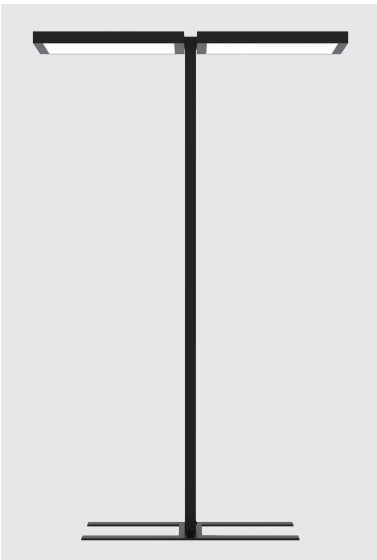
LIGHT DISTRIBUTION	Direct / indirect
DELIVERED LUMENS	6930lm@3000K / 7340lm@4000K
EFFICACY	Up to 106lm/W
CCT	3000K / 4000K
CRI	> 90
SDCM	< 3
POWER	69W
STANDBY POWER	0.6W
CONTROL	Touch DIM to 1%
INPUT	220-240V AC
CONNECTING CABLE	Length 3 m with safety plug
FINISH	Black / White / Silver / RAL
WEIGHT(NET)	14KG

**BOWER SINGLE - 96W
MODEL: BW-S-96**

LIGHT DISTRIBUTION	Direct / indirect
DELIVERED LUMENS	9451lm@3000K / 10012lm@4000K
EFFICACY	Up to 104lm/W
CCT	3000K / 4000K
CRI	> 90
SDCM	< 3
POWER	96W
STANDBY POWER	0.6W
CONTROL	Touch DIM to 1%
INPUT	220-240V AC
CONNECTING CABLE	Length 3 m with safety plug
FINISH	Black / White / Silver / RAL
WEIGHT(NET)	14KG

BOWER DOUBLE - 138W
MODEL: BW-D-138

LIGHT DISTRIBUTION	Direct / indirect
DELIVERED LUMENS	13860lm@3000K / 14680lm@4000K
EFFICACY	Up to 106lm/W
CCT	3000K / 4000K
CRI	> 90
SDCM	< 3
POWER	138W
STANDBY POWER	1.2W
CONTROL	Touch DIM to 1%
INPUT	220-240V AC
CONNECTING CABLE	Length 3 m with safety plug
FINISH	Black / White / Silver / RAL
WEIGHT(NET)	14.5KG

BOWER DOUBLE - 192W
MODEL: BW-D-192

LIGHT DISTRIBUTION	Direct / indirect
DELIVERED LUMENS	18902lm@3000K / 20024lm@4000K
EFFICACY	Up to 104lm/W
CCT	3000K / 4000K
CRI	> 90
SDCM	< 3
POWER	192W
STANDBY POWER	1.2W
CONTROL	Touch DIM to 1%
INPUT	220-240V AC
CONNECTING CABLE	Length 3 m with safety plug
FINISH	Black / White / Silver / RAL
WEIGHT(NET)	14.5KG



More information and data,
please visit:
www.zalite.cn

V1.0_2023-03