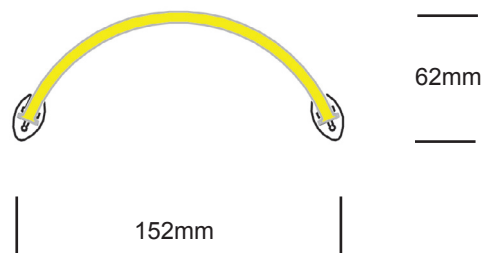

CLARA ARCH

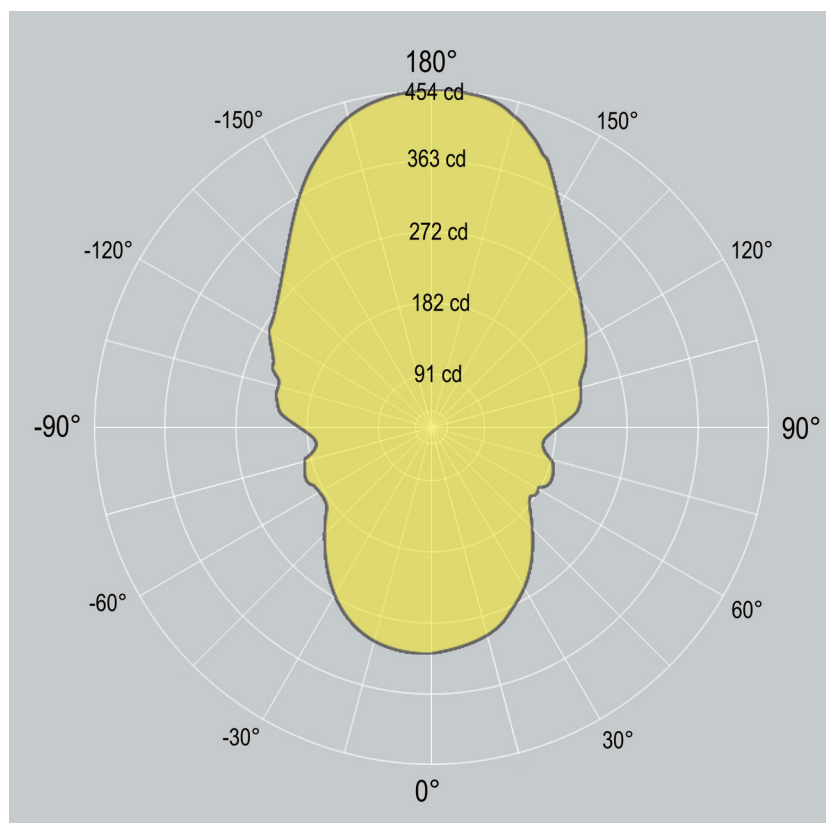
Suspended
Wall Sconce



Dimensions



Distribution



CLARA ARCH

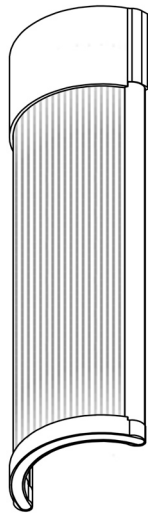
Suspended, Wall Sconce

ZALITE

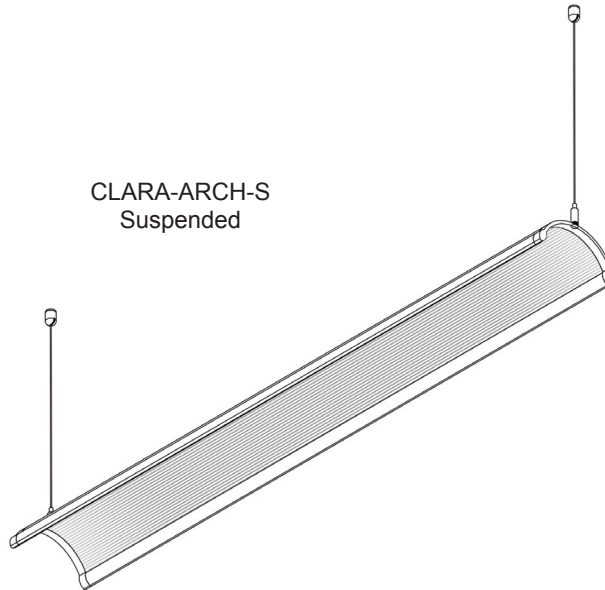
1. Base Model

CLARA-ARCH-S	Suspended
CLARA-ARCH-WS	Wall Sconce

CLARA-ARCH-WS
Wall Sconce



CLARA-ARCH-S
Suspended



2. Run Length

Runs can be up to 3M in single section or extended with connector

3. LED Lamping

STD - xxxxK	Standard Output, 1813 delivered lm/1.2M, 25W/M, 76 lm/W @ 4000K CCT: 3000K 3500K 4000K Option: 2700K 5000K 5700K 6500K
-------------	---

4. LED Driver (remote only)

0/1-10V	0/1-10V dimming
DALI	DALI dimming
NONDIM	Non-dimmable

5. Finish

AL	Standard, natural aluminum
BK	Black powdercoat
WH	White powdercoat
CUSTOM	Specify Custom powdercoat

6. Additional options (remote only)

EM	1.5 hour Emergency Kit
MS	Motion Sensor
Others	Contact factory

CLARA ARCH

Suspended, Wall Sconce

ZALITE

Housing

100% recyclable, extruded architectural grade T6063 aluminum

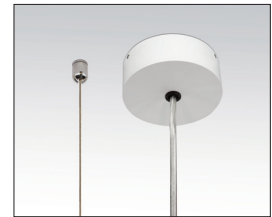
Emergency

Luminaires can be wired for emergency circuit and/or emergency battery backup.
Consult factory for options.

Finish

Standard finish is "Ultimate" aluminum - a smooth, clean and durable finish achieved from a deep-etch and two step clear anodizing process.

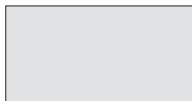
White, Black, Custom powdercoat options also available.



Suspension & Power



WH - WHITE



AL - ALUMINUM



BK - BLACK



Custom / ____

Default canopy finish
is to match fitting color,
unless otherwise
specified



ISO 9001:2015