

---

# CP SYSTEM

Custom Illuminated Boxes

Suspended  
Wall  
Surface



# CP SYSTEM

Suspended, Wall, Surface (Optional Spots)

# ZALITE



# CP SYSTEM

Suspended, Wall, Surface (Optional Spots)

# ZALITE



# CP SYSTEM

Suspended, Wall, Surface (Optional Spots)

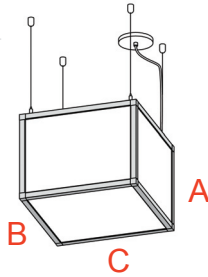


## 1. Base Model

CP-SYSTEM-S	Suspended
CP-SYSTEM-WM	Wall Mounted
CP-SYSTEM-SM	Surface Mounted

## 2. Size

A x B x C



Example: 200mm x 200mm x 200mm

When specifying WALL (side) Mounted please note that “B” is the dimension - the surface - attached to the WALL. And “C” is the extension - the depth - from the wall.

## 3. SPOTS (optional)

Mounted on aluminum bottom panel

D50/60 - 7W - 25°  
D50/60 - 7W - 40°

D50/80 - 13W - 25°  
D50/80 - 13W - 40°

D85/60 - 13W - 25°  
D85/60 - 13W - 40°  
D85/60 - 13W - 60°

D85/60 - 19W - 25°  
D85/60 - 19W - 40°  
D85/60 - 19W - 60°

D110/40 - 18W - 15°  
D110/40 - 18W - 24°  
D110/40 - 18W - 38°  
D110/40 - 18W - 48°

D110/40 - 26W - 15°  
D110/40 - 26W - 24°  
D110/40 - 26W - 38°  
D110/40 - 26W - 48°

D110/60 - 38W - 15°  
D110/60 - 38W - 24°  
D110/60 - 38W - 38°  
D110/60 - 38W - 48°

D110/60 - 49W - 15°  
D110/60 - 49W - 24°  
D110/60 - 49W - 38°  
D110/60 - 49W - 48°

## 4. CCT

3K - 3000K  
4K - 4000K

 <ul style="list-style-type: none"> <li>• D50/60 SPOT - 7W 50mm Diameter base / 60mm tall heat sink</li> </ul>				 <ul style="list-style-type: none"> <li>• D50/80 SPOT - 13W 50mm Diameter base / 80mm tall heat sink</li> </ul>			
*DELIVERED LUMENS				*DELIVERED LUMENS			
<b>D50/60 - 7 WATTS</b>				<b>D50/80 - 13 WATTS</b>			
CITIZEN GEN 6 - CLU028-1204C4				CITIZEN GEN 6 - CLU028-1204C4			
200mA				350mA			
25° BEAM		40° BEAM		25° BEAM		40° BEAM	
3000K	4000K	3000K	4000K	3000K	4000K	3000K	4000K
*910 lumens	*934 lumens	*796 lumens	*817 lumens	*1534 lumens	*1575 lumens	*1342 lumens	*1378 lumens
130 lm/W	133 lm/W	114 lm/W	117 lm/W	118 lm/W	121 lm/W	103 lm/W	106 lm/W

 <ul style="list-style-type: none"> <li>• D85/60 SPOT - 13W &amp; 19W 85mm Diameter base / 60mm tall heat sink</li> </ul>							
*DELIVERED LUMENS							
<b>D85/60 - 13 WATTS</b>				<b>D85/60 - 19 WATTS</b>			
CITIZEN GEN 6 - CLU028-1204C4				CITIZEN GEN 6 - CLU028-1204C4			
350mA				500mA			
25° BEAM		40° BEAM		60° BEAM		60° BEAM	
3000K	4000K	3000K	4000K	3000K	4000K	3000K	4000K
*1821 lm	*1870 lm	*1821 lm	*1870 lm	*1591 lm	*1633 lm	*2511 lm	*2577 lm
140 lm/W	144 lm/W	140 lm/W	144 lm/W	122 lm/W	126 lm/W	132 lm/W	136 lm/W

 <ul style="list-style-type: none"> <li>• D110/40 SPOT - 18W &amp; 26W 110mm Diameter base / 40mm tall heat sink</li> </ul>							
*DELIVERED LUMENS							
<b>D110/40 - 18 WATTS</b>				<b>D110/40 - 26 WATTS</b>			
CITIZEN GEN 6 - CLU038-1206C4				CITIZEN GEN 6 - CLU038-1206C4			
500mA				700mA			
15° BEAM		24° BEAM		38° BEAM		48° BEAM	
3000K	4000K	3000K	4000K	3000K	4000K	3000K	4000K
*2552 lm	*2618 lm	*2466 lm	*2531 lm	*2353 lm	*2414 lm	*2098 lm	*2153 lm
142 lm/W	145 lm/W	137 lm/W	141 lm/W	131 lm/W	134 lm/W	116 lm/W	120 lm/W

 <ul style="list-style-type: none"> <li>• D110/60 SPOT - 38W &amp; 49W 110mm Diameter base / 60mm tall heat sink</li> </ul>							
*DELIVERED LUMENS							
<b>D110/60 - 38 WATTS</b>				<b>D110/60 - 49 WATTS</b>			
CITIZEN GEN 6 - CLU038-1206C4				CITIZEN GEN 6 - CLU038-1206C4			
1000mA				1250mA			
15° BEAM		24° BEAM		38° BEAM		48° BEAM	
LOR 90%		LOR 87%		LOR 83%		LOR 74%	
3000K	4000K	3000K	4000K	3000K	4000K	3000K	4000K
*4727 lm	*4849 lm	*4569 lm	*4687 lm	*4359 lm	*4472 lm	*3886 lm	*3987 lm
124 lm/W	128 lm/W	120 lm/W	123 lm/W	115 lm/W	118 lm/W	102 lm/W	105 lm/W

# CP SYSTEM

Suspended, Wall, Surface (Optional Spots)



## 5. LED Driver (remote only on some small sizes - check with factory)

AL	Standard, natural aluminum
BK	Black powdercoat
WH	White powdercoat
Custom	Custom Color

## 6. Finish

AL	Standard, natural aluminum
BK	Black powdercoat
WH	White powdercoat
Custom	Custom Color

## 7. Additional options (remote only on some small sizes - check with factory)

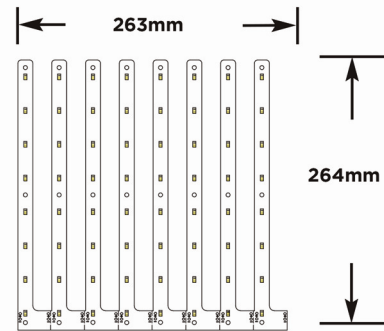
EM	1.5 hour Emergency Kit
MS	Motion sensor
Others	Contact factory

## HOW TO SPECIFY

(All CP SYSTEM orders are custom)

- 1) Use the code builder format above to start a design. This will let us know the dimensions and features that you want.
- 2) Contact our sales office to let us know the Lumen Output or Wattage desired.
- 3) We will work to fit the performance desired into the size you have chosen.
- 4) Generally, we use the LED finger board - to the right - for box illumination. The table displays raw LED lumens. The CP SYSTEM diffuser material is 85% efficient.

Each 300 x 300mm section is powered by a 64 LED Samsung 5630 board. The board can be driven at approximately 8W, 12W or 17W. See the table below for raw LED performance numbers produced by a single board (300x300 space)



64 LED Samsung 5630 Board						
CCT	3000K	4000K	3000K	4000K	3000K	4000K
DRIVE CURRENT	350 mA		500 mA		700 mA	
WATTS	8W		12 W		17 W	
RAW LUMENS	1086	1261	1596	1783	2051	2393
EFFICACY	137 lm/W	157 lm/W	137 lm/W	153 lm/W	121 lm/W	136 lm/W
CRI	>82		>82		>82	

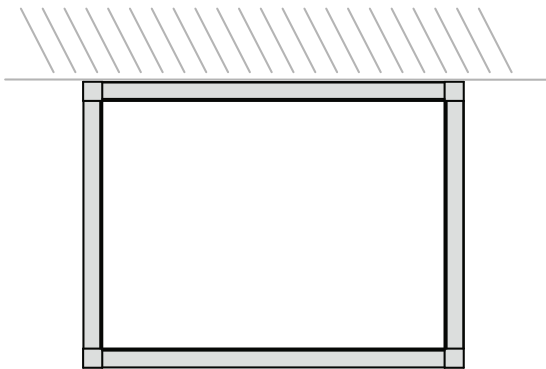
# CP SYSTEM

Suspended, Wall, Surface (Optional Spots)

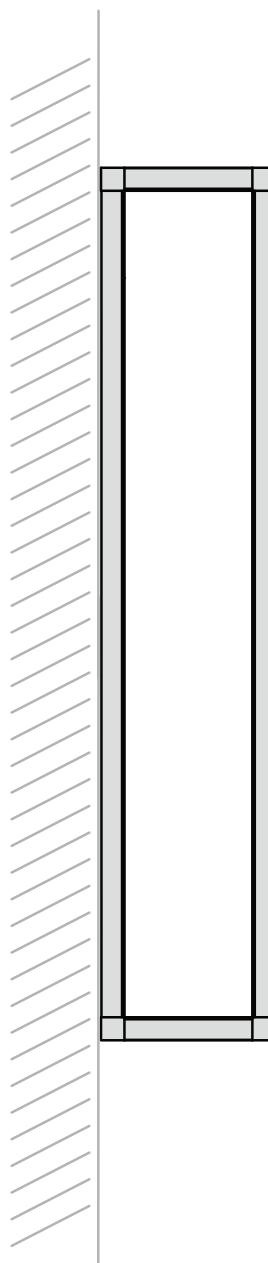
# ZALITE

## Mounting Options

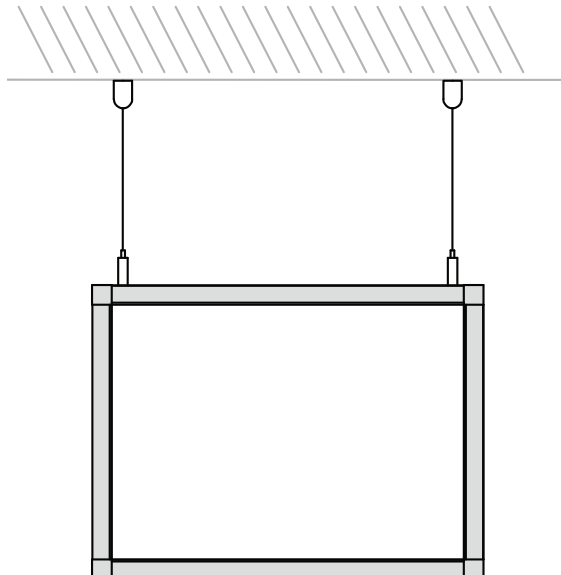
SURFACE MOUNT



WALL MOUNT



SUSPENDED



# CP SYSTEM

Suspended, Wall, Surface (Optional Spots)

# ZALITE

---

## Housing

100% recyclable, extruded architectural grade T6063 aluminum

---

## Emergency

Luminaires can be wired for emergency circuit and/or emergency battery backup.  
Consult factory for options.

---

## Finish

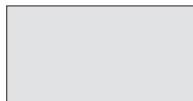
Standard finish is "Ultimate" aluminum - a smooth, clean and durable finish achieved from a deep-etch and two step clear anodizing process.  
White, Black, Custom powdercoat options also available.



Suspension & Power



WH - WHITE



AL - ALUMINUM



BK - BLACK



Custom / \_\_\_\_

Default canopy finish  
is to match fitting color,  
unless otherwise  
specified



ISO 9001:2015