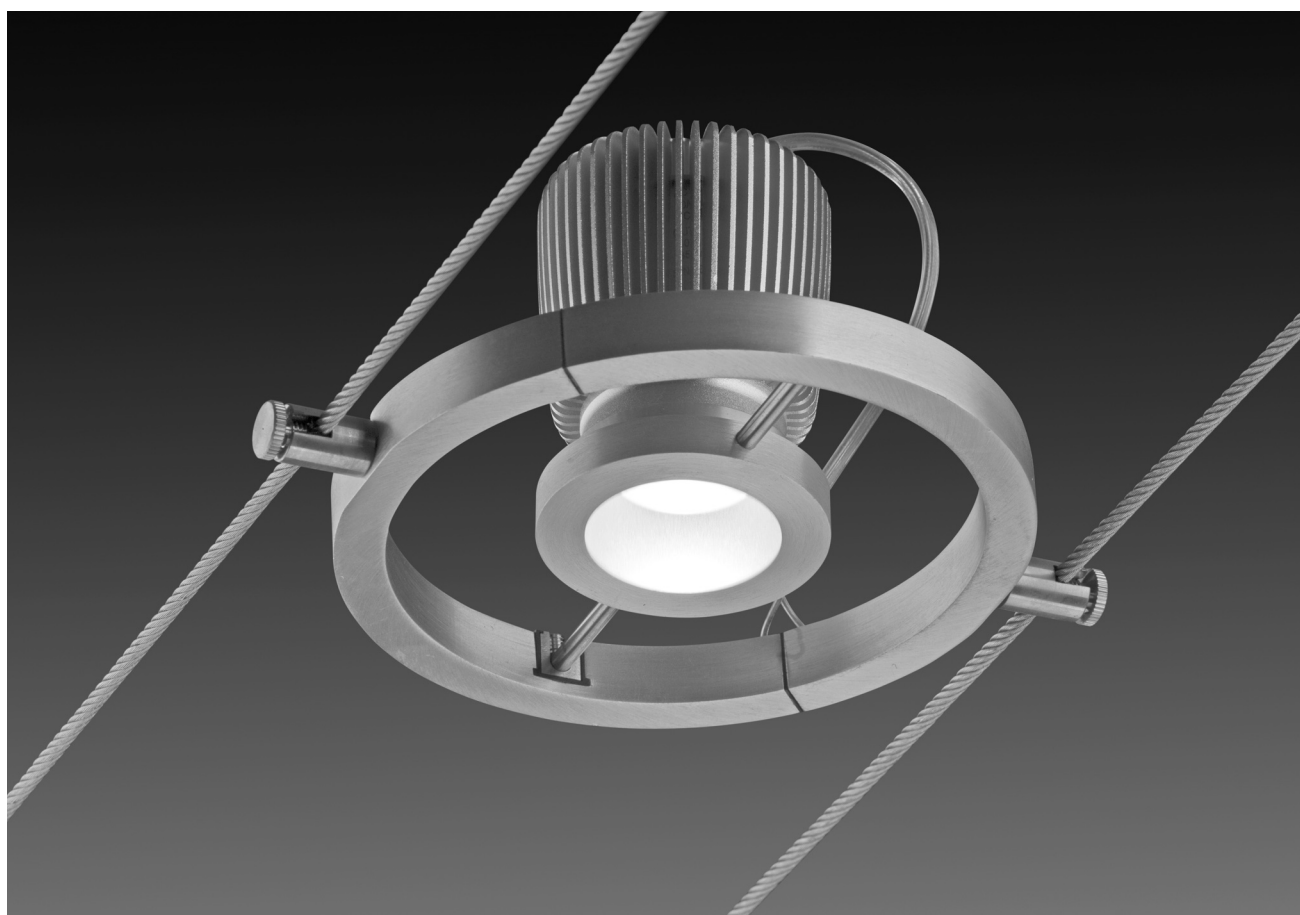

ECO CABLE

Spots

Wall to Wall

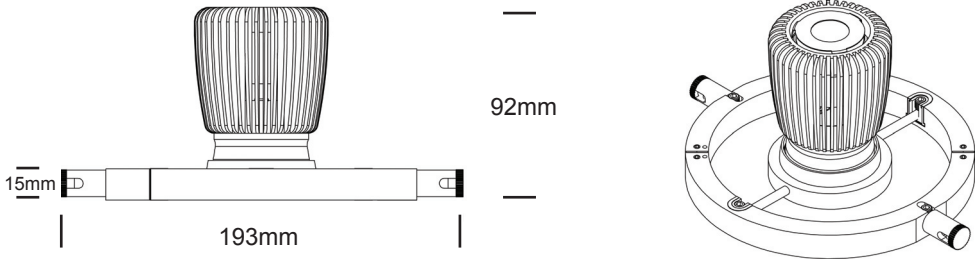


ECO CABLE

Spots

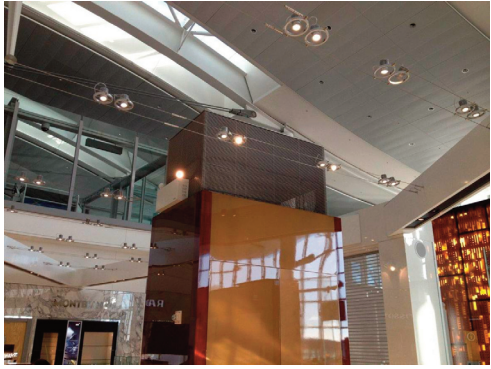
ZALITE

Dimensions



ECO SPOT

2-Axis Gimbal positioning
1426 lumens (with 25° beam)
Volts - 24Vdc
Watts - 13W
Lens Beams - 25°, 40°
Finish - Natural Aluminum
CCT - 3000K 3500K 4000K
CRI - >80 (unless a special order)



ECO CABLE

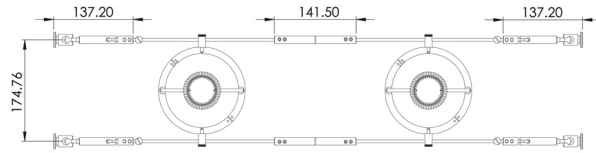
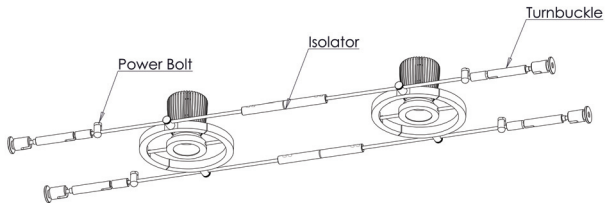
Spots



1. Base Model

ECO-CABLE

Wall To Wall



2. Cable Length

xxxM

Specify distance of actual Cable Span in Meters.
Cable supplied will be (X2 cables) - plus a bit extra length.

3. Quantity of spot heads

xxxSPOTS

Specify the total quantity of spot heads (8 SPOTS max per circuit/driver)

4. Beam Spread

25 BEAM

25° Spot

40 BEAM

40° Flood

5. Color Temperature

3K

3000K

35K

3500K

4K

4000K

6. Number of Circuits / Drivers (high strength non-conducting cable ISOLATORS are provided to separate the circuits)

xxxCIRCUITS

8 Spots max per circuit / driver



ISO 9001:2015