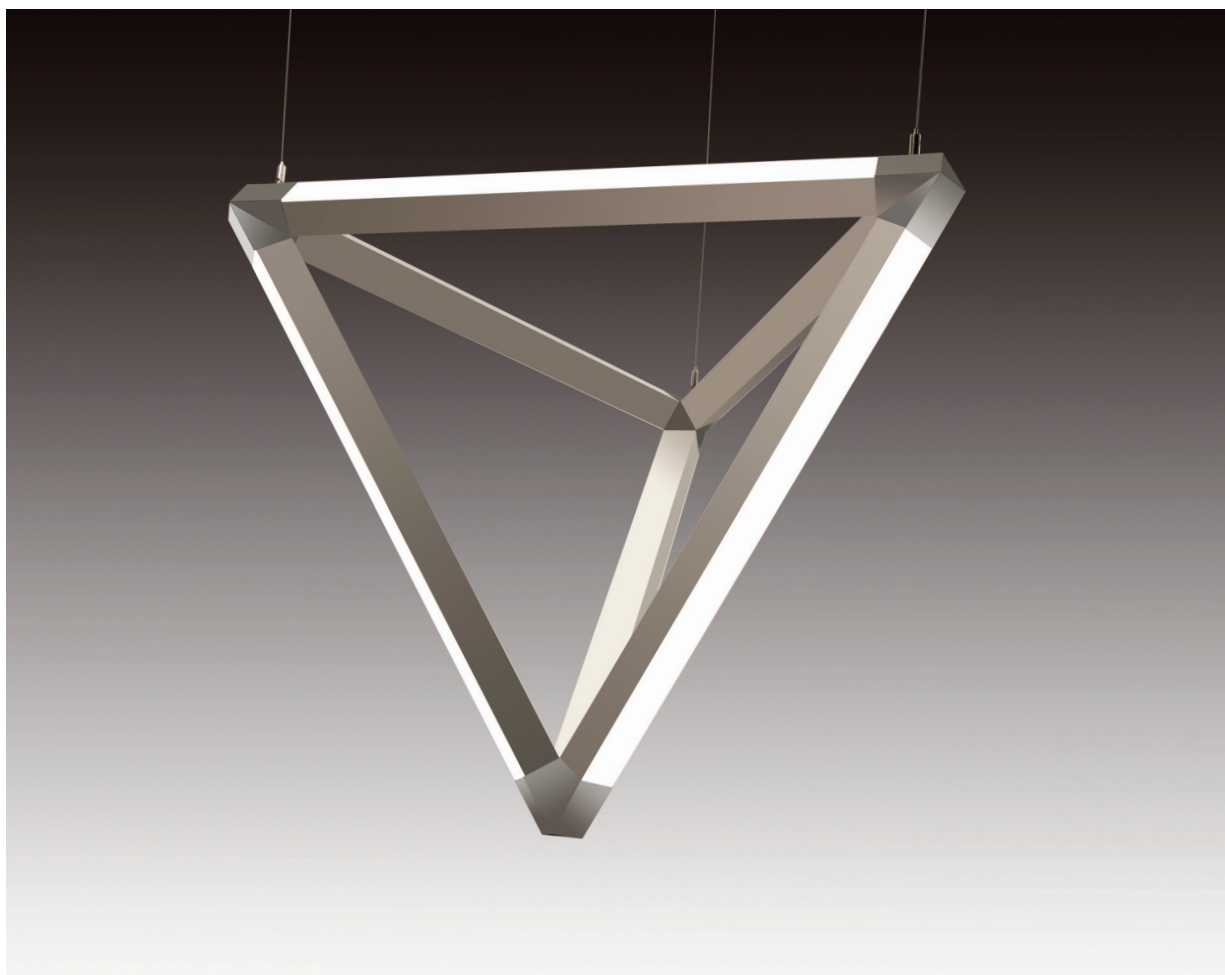


# FB-Pyramid

Suspended



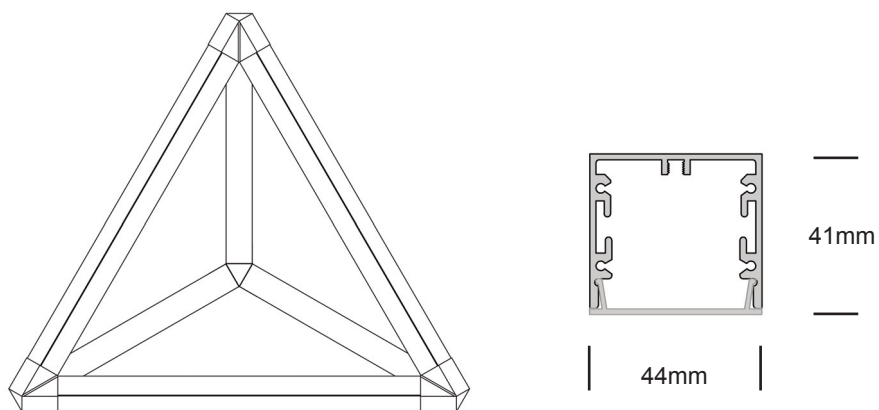
# FB-Pyramid

Suspended

# ZALITE

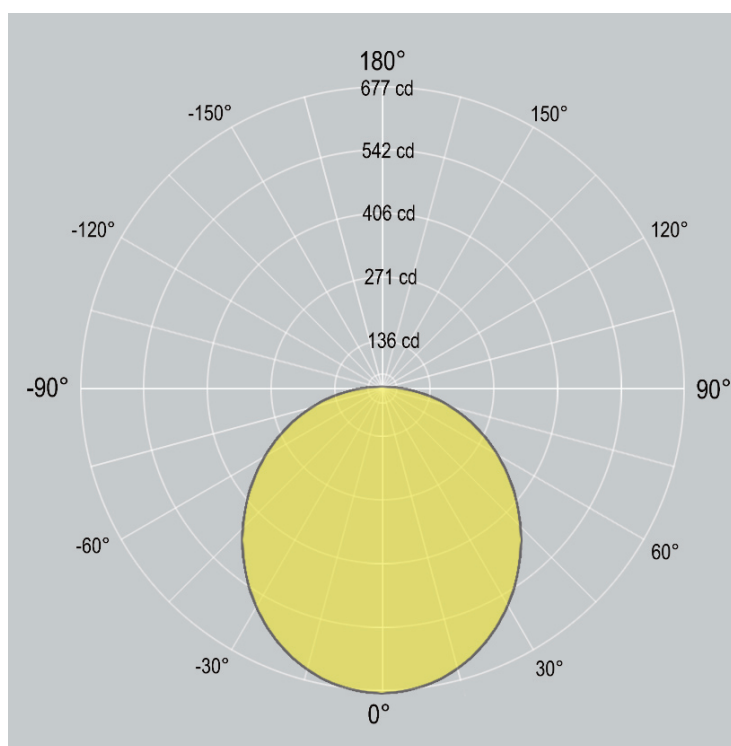
## Dimensions

---



## Distribution

---





# FIVE BOW - FB

Suspended, Wall, Surface

# ZALITE

---

## Housing

100% recyclable, extruded architectural grade T6063 aluminum

---

## Emergency

Luminaires can be wired for emergency circuit and/or emergency battery backup.  
Consult factory for options.

---

## Options

### Mitered Corners

Consult factory for mitered corner angle options.

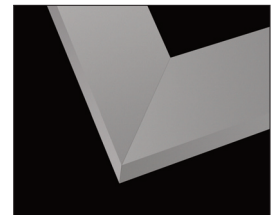
---

## Finish

Standard finish is "Ultimate" aluminum - a smooth, clean and durable finish achieved from a deep-etch and two step clear anodizing process.  
White, Black, Custom powdercoat options also available.



Suspension & Power



Mitered Corners



WH - WHITE



AL - ALUMINUM



BK - BLACK



Custom / \_\_\_\_

Default canopy finish  
is to match fitting color,  
unless otherwise  
specified



ISO 9001:2015