

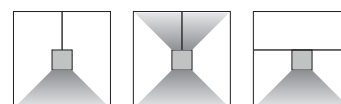
LPL2.5MD-S-1200-CIRCLE-STD-4000K-STD-AL

## Features

- Custom curved or straight shapes and configurations
- Low glare prismatic lens with custom width
- Flood and accent distribution combination
- Built-in driver, dim or non-dim available
- Wide range of finishes
- 100% recyclable, extruded architectural grade T6063 aluminum

## Mounting

- Suspended, surface

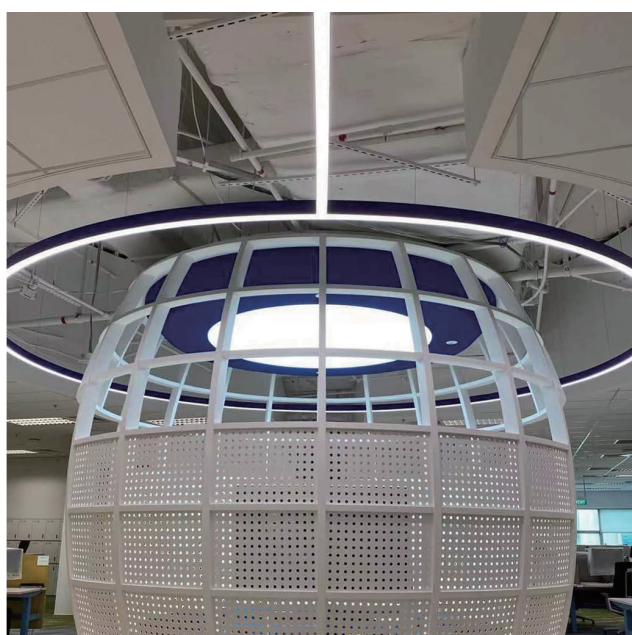


# Moonring 2.5 - LPL2.5MD

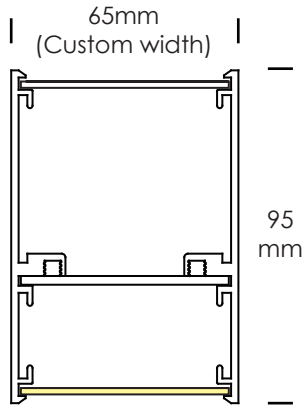
Suspended, Surface

# ZALITE

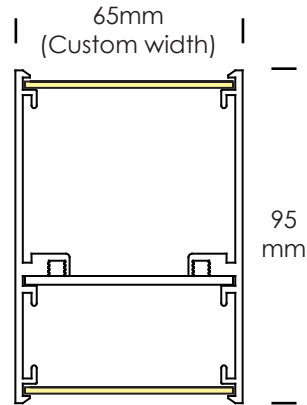
## PHOTOS



## Dimensions

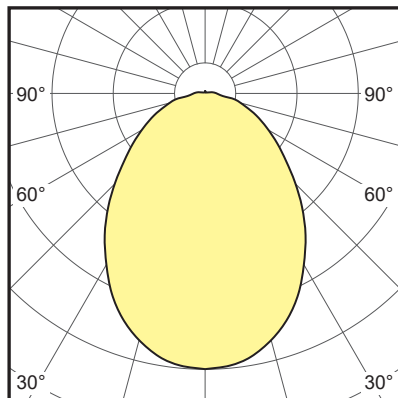


Direct

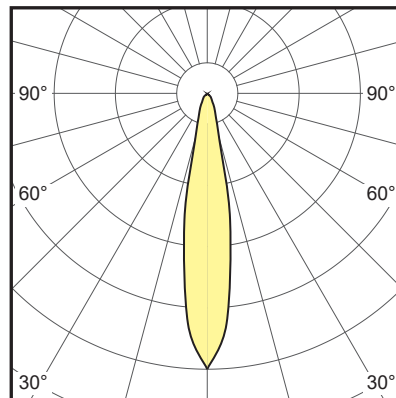


Direct & indirect

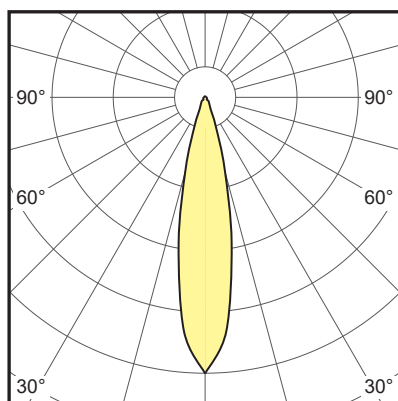
## Distributions



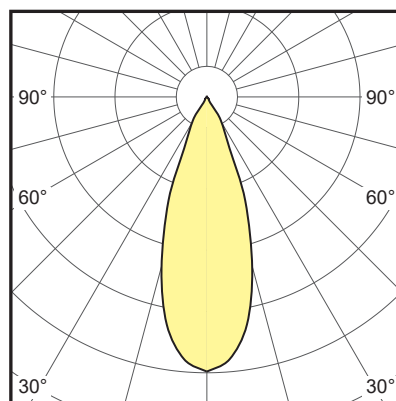
LPL2.5MD- LED strip



HV SPOT - 18°



HV SPOT - 24°



HV SPOT - 36°

## Ordering Info

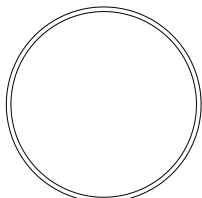
### 1. BASIC MODEL

LPL2.5MD-S	Suspended - direct / direct-indirect
LPL2.5MD-SM	Surface mount - direct only

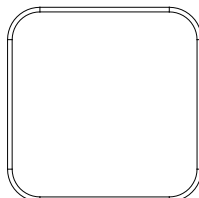
### 2. SIZE AND SHAPE

xxxxmm - CIRCLE	Circle - specify outside diameter in mm
xxxxmm - HCIRCLE	Half circle - specify outside diameter in mm
xxxxmm - 1/4 ARC	Quarter arc - specify outside diameter in mm
xxxxmm - STR	Straight - specify length in mm
xxxxmm - Special Shape	Radom connection of sectional circle, arc and straight

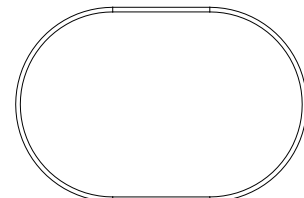
\* Sample configuration diagrams as below.



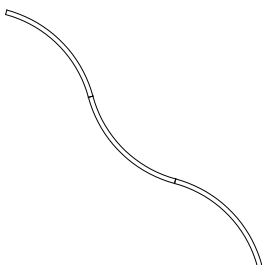
Circle



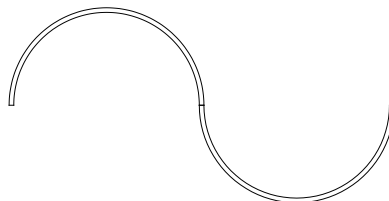
Rounded Rectangle



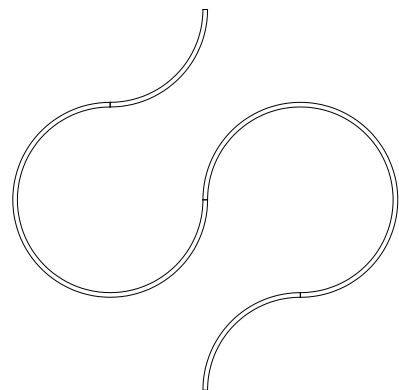
Stadium Oval



Serpentine



S-Shape



Curve

### 3. LED LAMPING - DIRECT LIGHT

<b>LOW - xxxxK</b>	Linear LED strip, low output, LED 10W/M
<b>STD - xxxxK</b>	Linear LED strip, standard output, LED 20W/M
<b>HI - xxxxK</b>	Linear LED strip, high output, LED 30W/M
<b>??-25W-xxxxK-18</b>	25W HV spot, 18° - specify the quantity(??) and CCT(xxxxK) of spot
<b>??-25W-xxxxK-24</b>	25W HV spot, 24° - specify the quantity(??) and CCT(xxxxK) of spot
<b>??-25W-xxxxK-36</b>	25W HV spot, 36° - specify the quantity(??) and CCT(xxxxK) of spot

Note: Standard CCT: 3000K, 3500K, 4000K; CRI80 and CRI90 are available.

Other option: 2700K, 5000K, 5700K, 6500K, red, green, blue, RGB, RGBW, TUNE(2700K-6500K). Contact factory for details.

See page 7 for information of LED lamping output.



### 4. LED LAMPING - INDIRECT LIGHT

<b>LOW - xxxxK</b>	Linear LED strip, low output, LED 10W/M
<b>STD - xxxxK</b>	Linear LED strip, standard output, LED 20W/M
<b>HI - xxxxK</b>	Linear LED strip, high output, LED 30W/M
<b>NONE</b>	DIRECT-ONLY fixture

Note: Standard CCT: 3000K, 3500K, 4000K; CRI80 and CRI90 are available.

Other option: 2700K, 5000K, 5700K, 6500K, red, green, blue, RGB, RGBW, TUNE(2700K-6500K). Contact factory for details.

### 5. DRIVER (REMOTE ONLY)

<b>STD</b>	Non-dimmable
<b>0/1-10V</b>	1-10V / 0-10V dimming
<b>DALI</b>	DALI dimming
<b>DMX</b>	DMX dimming
<b>OTHER</b>	Consult factory for options

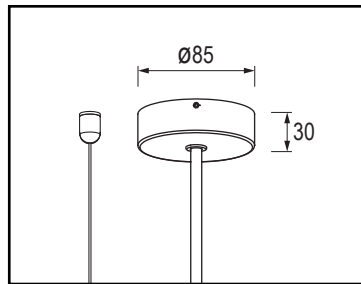
## 6. SUSPENSION MOUNT CANOPY

**RC** Canopy in round shape - suspended only

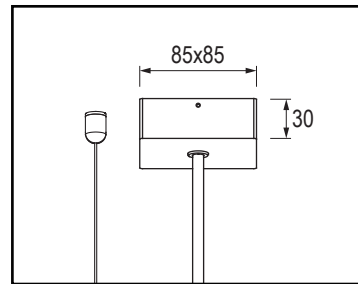
---

**SC** Canopy in square shape - suspended only

---



Round canopy



Square canopy

## 7. FINISH

**BK** Matt black powercoat

---

**WH** Matt white powercoat

---

**SG** Silver grey powercoat

---

**CF** Custom finish - RAL or Pantone or other finish options

---



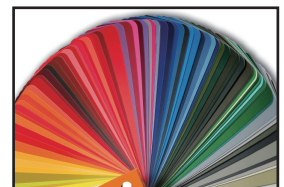
Matt black



Matt white



Silver grey



Custom

## 8. OPTIONAL ADD-ONS

**EM** 1.5 hour emergency kit (remote only)

---

**SS** PIR sensor

---

**OTHERS** Consult factory for options

---

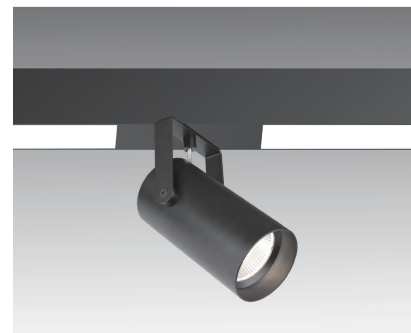
## SPECIFICATION DETAILS

### HV SPOT

HV Spot can be rotatable 355 degrees and adjustable 90 degrees. The high-quality reflector ensures a particularly precise beam characteristic at three different angles (18/24/36 deg). The spot can come with non-dimmable driver or dimmable driver which is installed in LPL2.5MD housing.

355°  
rotatable 355 degrees

90°  
adjustable 90 degrees



### PERFORMANCE DATA - LED LAMPING

OUTPUT OPTIONS	DELIVERED LUMENS	WATTS	CRI OPTIONS	CCT OPTIONS	LED LAMPING
LOW	913	11.6	80 90	2700K 3000K 3500K 4000K 5000K 6500K	LED strip, 4000K, direct light only
STD	1673	24			LED strip, 4000K, direct light only
HI	2344	36			LED strip, 4000K, direct light only
HVS	2420	27.2	80		HV spot, 4000K

Note: Data provided for LED strip options is from a photometric test of 1 meter fixture output with 90CRI at 4000K using a non-dimmable driver.

Data provided for spot options is from a photometric test of one spotlight output with 80CRI at 4000K using a non-dimmable driver.



More information and data,  
please visit:  
[www.zalite.cn](http://www.zalite.cn)

V1.1\_2021-12